

40T 96

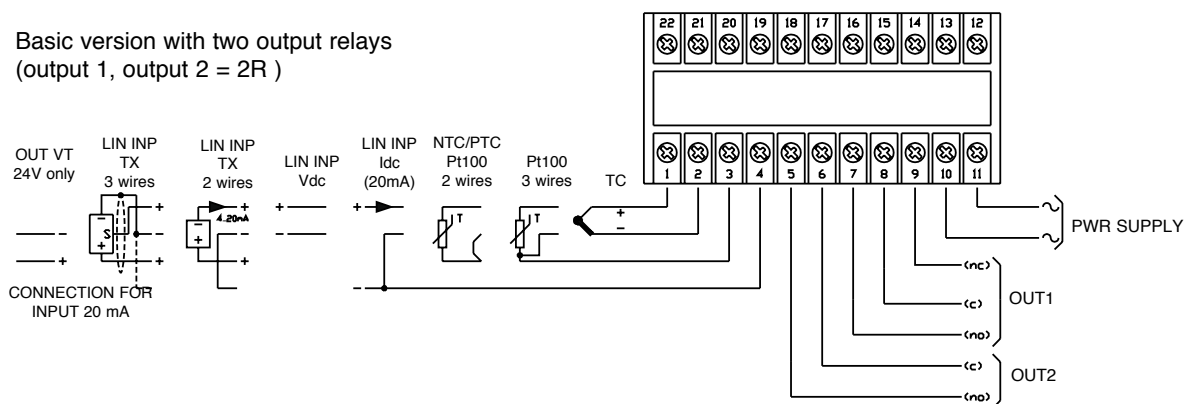


UNIVERSAL TEMPERATURE INDICATOR - ALARM UNIT

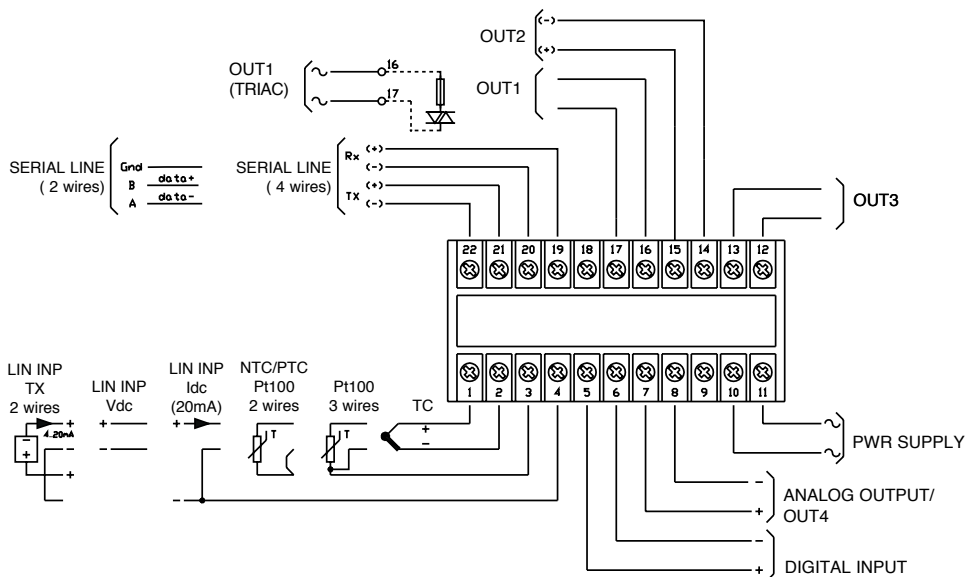
Universal indicator - alarm unit, 4-digit display, microprocessor-based, configurable from faceplate keys and from PC, temperature and linear inputs.

- Inputs TC, RTD, PTC, NTC, mV, V, mA linear inputs
- Retransmitted output
- Faceplate protection: IP65
- Configurable alarms
- RS485 serial line

Basic version with two output relays (output 1, output 2 = 2R)



Expandable version



Outputs	Special functions	Serial Communication	Power supply	Order code	SAP/METEL code
2 relays	-	-	11..27Vac/Vdc	40T96-4-00-RR00-000	F000193 A
2 relays	-	-	100..240Vac/Vdc	40T96-4-00-RR00-001	F000194 A
2 relays+ Analog	-	-	11..27Vac/Vdc	40T96-4-00-RR00-200	F000958
2 relays+ Analog	-	-	100..240Vac/Vdc	40T96-4-00-RR00-201	F000960
3 relays	-	-	11..27Vac/Vdc	40T96-4-00-RRR0-000	F000962

Outputs	Special functions	Serial Communication	Power supply	Order code	SAP/METEL code	
3 relays	-	-	100..240Vac/Vdc	40T96-4-00-RRR0-001	F000195	A
3 relays+ Analog	-	-	11..27Vac/Vdc	40T96-4-00-RRR0-200	F027057	
3 relays+ Analog	-	-	100..240Vac/Vdc	40T96-4-00-RRR0-201	F000963	
4 relays	-	-	11..27Vac/Vdc	40T96-4-00-RRRR-000	F027184	
4 relays	-	-	100..240Vac/Vdc	40T96-4-00-RRRR-001	F026532	A
2 relays	Transm. power supply 24 Vdc	-	11..27Vac/Vdc	40T96-4-24-RR00-000	F000196	A
2 relays	Transm. power supply 24 Vdc	-	100..240Vac/Vdc	40T96-4-24-RR00-001	F000197	A
2 relays+ Analog	Transm. power supply 24 Vdc	-	11..27Vac/Vdc	40T96-4-24-RR00-200	F000971	
2 relays+ Analog	Transm. power supply 24 Vdc	-	100..240Vac/Vdc	40T96-4-24-RR00-201	F000973	A
3 relays	Transm. power supply 24 Vdc	-	11..27Vac/Vdc	40T96-4-24-RRR0-000	F000974	
3 relays	Transm. power supply 24 Vdc	-	100..240Vac/Vdc	40T96-4-24-RRR0-001	F000199	A
3 relays+ Analog	Transm. power supply 24 Vdc	-	11..27Vac/Vdc	40T96-4-24-RRR0-200	F032600	
3 relays+ Analog	Transm. power supply 24 Vdc	-	100..240Vac/Vdc	40T96-4-24-RRR0-201	F000976	
3 relays+ Analog	Transm. power supply 24 VDC + digital input	-	11..27Vac/Vdc	40T96-4-24-RRR0-300	F000200	
3 relays+ Analog	Transm. power supply 24 VDC + digital input	-	100..240Vac/Vdc	40T96-4-24-RRR0-301	F000201	A
4 relays	Transm. power supply 24 Vdc	RS485 Modbus	11..27Vac/Vdc	40T96-4-24-RRRR-020	F043687	
4 relays	Transm. power supply 24 Vdc	RS485 Modbus	100..240Vac/Vdc	40T96-4-24-RRRR-021	F049252	
4 relays	Selectable transm. power supply	-	11..27Vac/Vdc	40T96-4-99-RRRR-000	F029295	
4 relays	Selectable transm. power supply	-	100..240Vac/Vdc	40T96-4-99-RRRR-001	F029368	